

FS-380B Series – Compact Flow Switch 1/4" with Tube Fitting

Flow Rate Settings: 0.25 GPM to 2.00 GPM
Port Size: 1/2" NPT with 1/4" Tube Fitting
Primary Construction Material: Brass
Setting Type: Fixed

These rugged inline flow switches feature unique dual connection ports that provide 1/2" NPT and 1/4" tub fittings. They require 100 micron filtration and are less susceptible to clogging than other inline flow switches. The FS-380B is an excellent choice for semicon cooling applications where simple design and reliable operation are required.

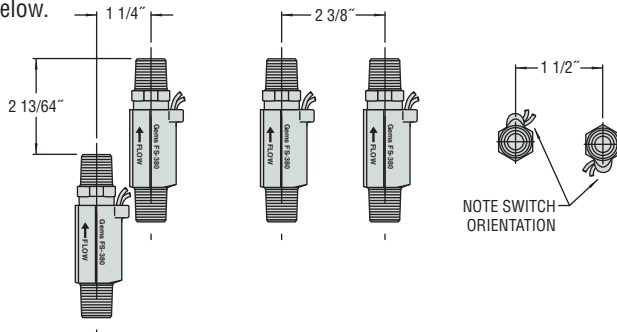
Specifications

Wetted Materials	
Housing	Brass
Piston	PPS Composite, Epoxy
Spring	316 Stainless Steel
O-Ring	Fluorocarbon
Cartridge O-Ring	EPDM
Cartridge Collet	Polypropylene
Operating Pressure, Maximum	150 PSI (10 bar)
Operating Temperature	-20°F to +275°F (-28.8°C to +135°C)
Set Point Accuracy	±20% Maximum
Set Point Differential	20% Maximum
Switch*	SPST, 20VA, N.O. at no flow
Electrical Termination	No. 22 AWG, 24" to 26" Polymeric leads

*See "Electrical Data" on Page X-5 for more information.

Spacing

To prevent sensor to sensor magnetic field interference, follow the spacing guidelines below.

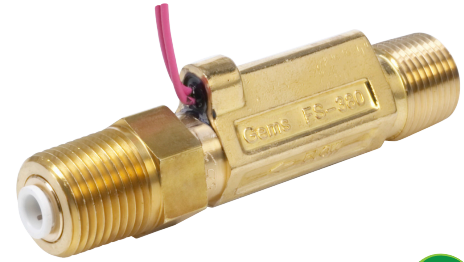


How To Order – Standard Models

Specify Part Number based on flow settings.

Flow Settings GPM ¹	Brass	
	1/2" NPT Male with 1/4" Tube Fitting	
0.25	248933	
0.50	248934	
1.00	248935	
1.50	248936	
2.00	248937	

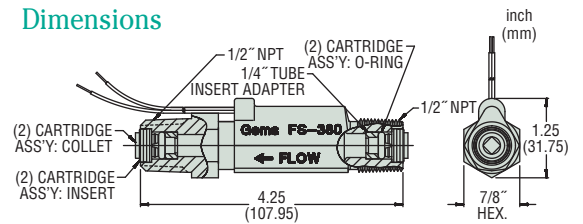
Note:
 1. Flow settings are calibrated using water @ 70°F on increasing flow with units in horizontal position. Consult factory for other fluid compatibility.



U.L. Recognized
File No. E31926



Dimensions



Pressure Drop – Typical

