

G & GH Series – Subminiature

- ▶ MOPD: 250 PSI
- ▶ C_v Range: 0.018 to 0.070
- ▶ 0.65 Watts or 2 Watts

This extremely versatile 2- or 3-way sub-miniature valve gives you the option of choosing the highly durable stainless steel or the lightweight corrosion resistant acetal body, to meet your overall design parameters. Select stainless steel or Delrin®, and other materials available to resist corrosion in most acids and alkaline solutions, or pick acetal for a tough and heat resistant metal substitute to meet your weight and chemical inert requirements.



Typical Applications

Stainless Steel Bodies:

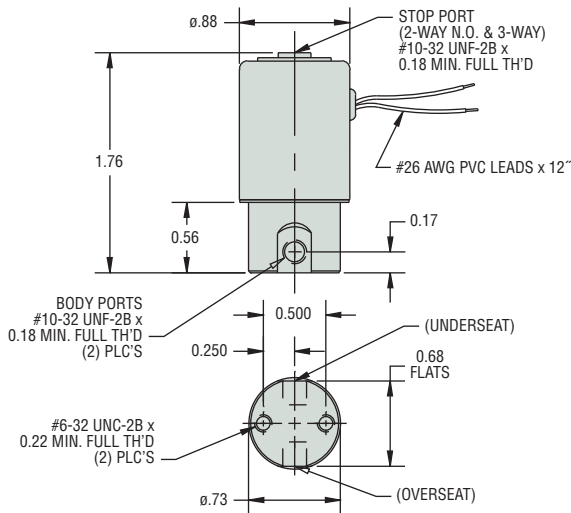
- Hospital Equipment
- Laboratory Equipment
- Air Sampling Systems

Acetal Bodies:

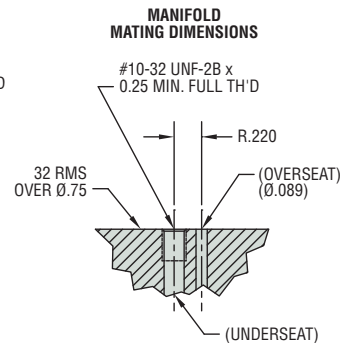
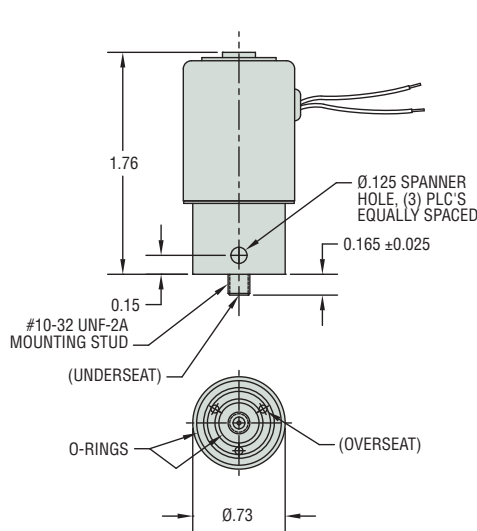
- Water Purification Systems
- Analytical Equipment

Dimensions

Threaded Port Body

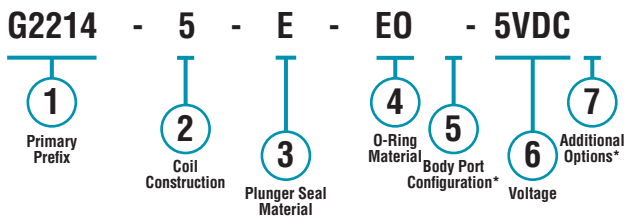


Manifold Mount Body



How To Order

Use the **Bold** characters from the choices listed on the following page to construct a product code.



* Blank entry indicates a "Standard" selection (#10-32 straight thread ports, in this case).

Example:

G2214-5-E-EO-5VDC

G-Series 303 Stainless Steel 2-Way N.O. solenoid valve, with tape-wrapped, Class-B, with lead-wires (12" long), encapsulated coil with 0.110 spade terminals, EPR plunger seal, EPR o-ring, #10-32 straight thread ports, operating at 5 VDC.

Part Prefix Table ①

	Power Rating	Orifice		MOPD (psig)	C _v		① Primary Prefix
		Body	Stop		Body	Stop	303 Stainless Steel ¹
2-WAY N.C.	0.65W	0.030	—	125	0.018	—	G2012
		0.040	—	70	0.023	—	G2013
		0.055	—	40	0.038	—	G2014
		0.078	—	20	0.063	—	G2015
	2W	0.030	—	250	0.018	—	GH2012
		0.040	—	175	0.023	—	GH2013
		0.055	—	100	0.038	—	GH2014
		0.078	—	50	0.063	—	GH2015
2-WAY N.O.	0.65W	—	0.030	125	—	0.018	G2212
		—	0.040	70	—	0.023	G2213
		—	0.055	40	—	0.038	G2214
		—	0.078	20	—	0.057	G2215
	2W	—	0.030	200	—	0.018	GH2212
		—	0.040	150	—	0.023	GH2213
		—	0.055	100	—	0.038	GH2214
		—	0.078	50	—	0.057	GH2215
3-WAY N.C.	0.65W	0.030	0.030	125	0.018	0.018	G3112
		0.040	0.040	70	0.023	0.023	G3113
		0.055	0.055	40	0.038	0.038	G3114
		0.078	0.078	20	0.063	0.057	G3115
	2W	0.032	0.030	200	0.018	0.018	GH3112
		0.040	0.040	150	0.023	0.023	GH3113
		0.055	0.055	100	0.038	0.038	GH3114
		0.078	0.078	50	0.063	0.057	GH3115
3-WAY N.O.	0.65W	0.030	0.030	125	0.018	0.018	G3212
		0.040	0.040	70	0.023	0.023	G3213
		0.055	0.055	40	0.038	0.038	G3214
		0.078	0.078	20	0.057	0.057	G3215
	2W	0.030	0.030	175	0.018	0.018	GH3212
		0.040	0.040	150	0.023	0.023	GH3213
		0.055	0.055	80	0.038	0.038	GH3214
		0.078	0.078	40	0.057	0.057	GH3215
3-WAY Multi Purpose	0.65W	0.030	0.030	80	0.018	0.018	G3312
		0.040	0.040	40	0.023	0.023	G3313
		0.055	0.055	20	0.036	0.029	G3314
		0.078	0.078	10	0.063	0.053	G3315
	2W	0.030	0.030	110	0.018	0.018	GH3312
		0.040	0.040	85	0.023	0.023	GH3313
		0.055	0.055	50	0.036	0.029	GH3314
		0.078	0.078	25	0.063	0.057	GH3315
3-WAY Directional Control	0.65W	0.030	0.030	135	0.018	0.018	G3412
		0.040	0.040	80	0.023	0.023	G3413
		0.055	0.055	45	0.029	0.029	G3414
		0.078	0.078	20	0.063	0.055	G3415
	2W	0.030	0.030	190	0.018	0.018	GH3412
		0.040	0.040	165	0.023	0.020	GH3413
		0.055	0.055	80	0.038	0.038	GH3414
		0.078	0.078	40	0.063	0.063	GH3415

② Coil Construction

(blank) = Tape-wrapped, Class-B, with lead-wires (12" long)*
 W__ = Lead-wires, non-standard length (specify in inches)
 1 = Encapsulated coil
 5 = Encapsulated coil with 0.110 spade terminals
 10 = Rectified coil for AC voltage (2-watt only)

③ Plunger Seal Material

(blank) = Viton®*
 NB = Nitrile
 E = EPR
 N = Neoprene

④ O-Ring Material

(blank) = Viton®*
 NBO = Nitrile
 EO = EPR
 NO = Neoprene

⑤ Body Port Configuration

(blank) = #10-32 straight thread ports*
 LC = 1/8"-27 NPT ports (2-way valves only)
 BM = M5 x 0.8 ports
 MM = Manifold mount with #10-32 threaded stud†
 MM2 = Manifold mount with M5 x 0.8 threaded stud†

⑥ Voltage

__VDC = DC (specify voltage)
 __VAC = AC Rectified 2-watt only (specify voltage)

⑦ Additional Options

OC = Cleaned for oxygen use
 TP = PTFE coated plunger
 VAC = Vacuum application (0 to 29.5" Hg)

* Standard selection; will be used unless otherwise specified. Standard selections are not referenced in final part number.

Notes

1. Use prefixes from this column if you plan to select a Body Port Configuration other than the #10-32 straight thread ports.

† Teflon® o-ring not suitable for manifold mount.

Gems specializes in the design and manufacturing of custom solenoid valves and fluidic systems. If you don't see what you're looking for, or have a question, contact us at 800-378-1600 or info@gemssensors.com.