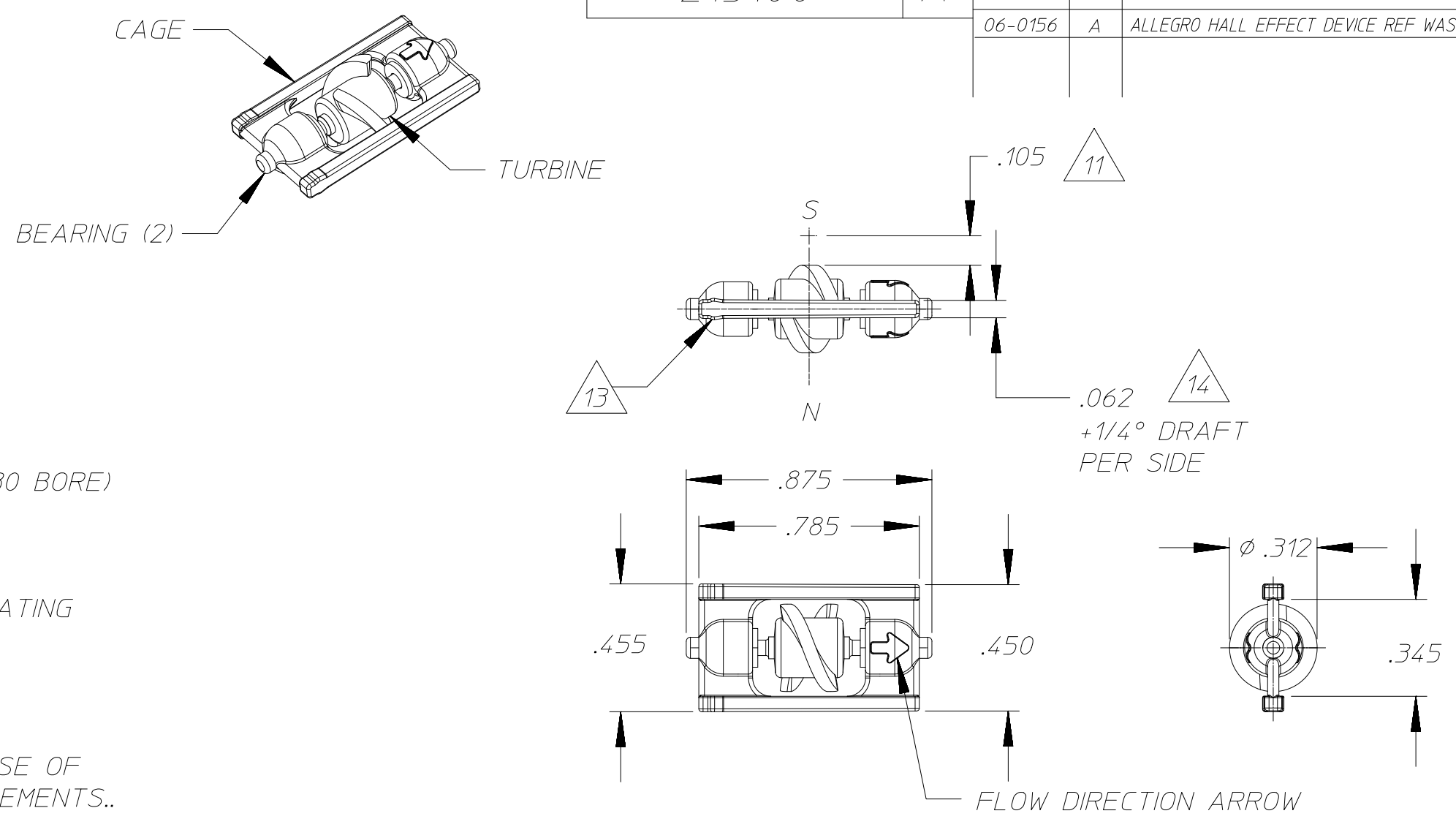


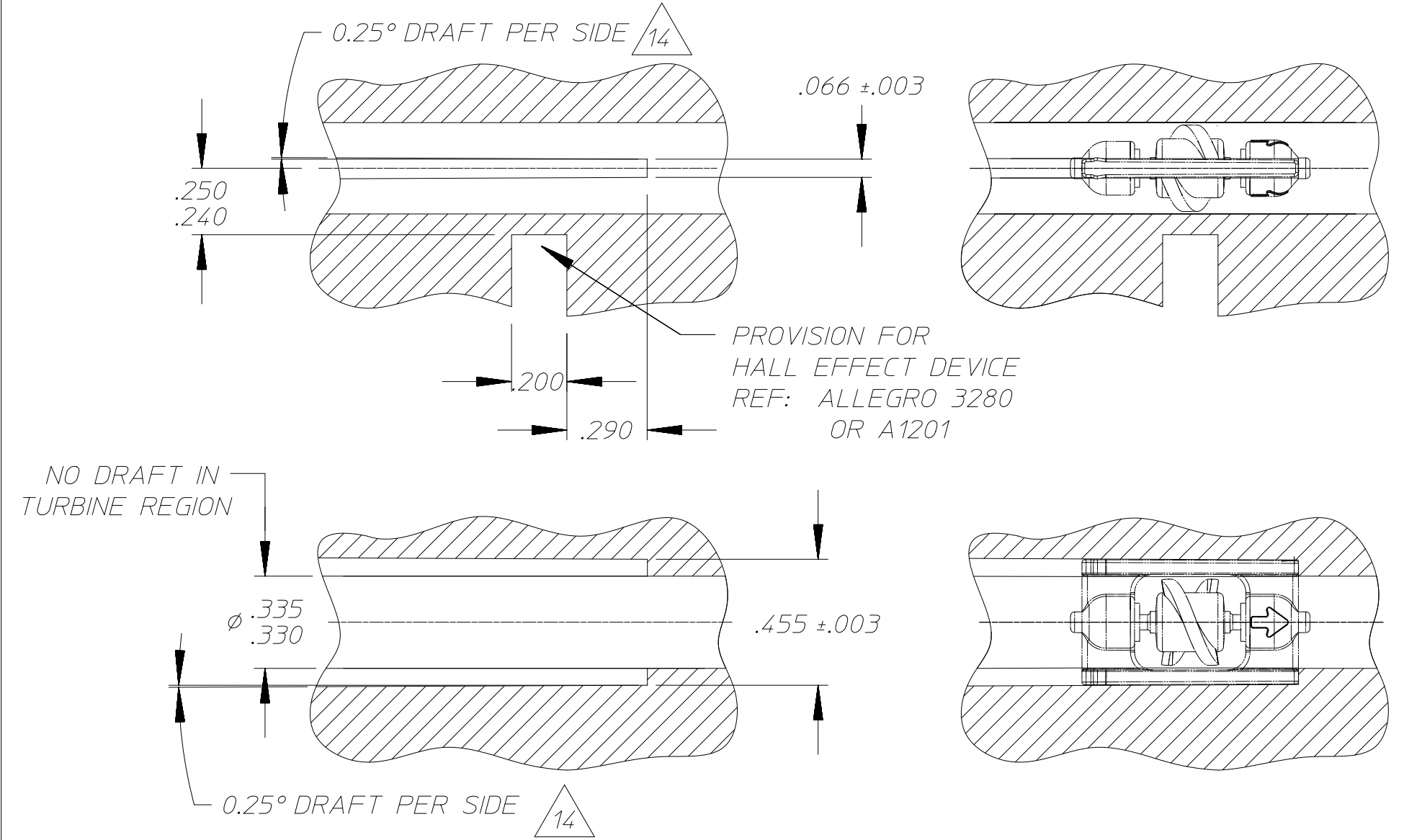
DWG. NO.	REV.	REVISIONS				
215100	A	CDN.	LTR	DESCRIPTION	DATE	APPROVED
		06-0156	A	ALLEGRO HALL EFFECT DEVICE REF WAS 3134	2/3	HOSAKA

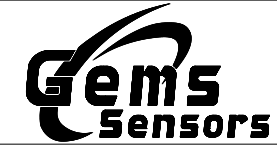
NOTES:

1. WETTED MATERIALS OF CONSTRUCTION:  
 TURBINE OVERMOLD: PA COMPOSITE  
 TURBINE AXLE: 316 S.S.  
 TURBINE CAGE: ABS  
 BEARINGS: GLASS-FILLED NYLON 6/12
2. TEMPERATURE RANGE: 0°F TO 100°F
3. PRESSURE RANGE: 150 PSI MAX.
4. FLOW RANGE: 0.2 TO 2.0 GPM IN A Ø.330/.335 BORE
5. FREQUENCY RESPONSE: 33 HZ AT 0.2 GPM TO 325 HZ AT 2 GPM (IN Ø.330 BORE)
6. ACCURACY: ±5% OF READING (IN Ø.330 BORE)  
 IMPROVED ACCURACY CAN BE ACHIEVED BY CALIBRATING THE INDIVIDUAL ELEMENT WITH EACH APPLICATION.
7. REPEATABILITY: 2% OF READING
8. FLOW PERFORMANCE (RANGE, FREQUENCY, ETC.) CAN BE VARIED WITH THE USE OF DIFFERENT BORE DIAMETERS. CONSULT FACTORY WITH APPLICATION REQUIREMENTS..
9. VISCOSITY: 40 SSU MAX.
10. RECOMMENDED FILTRATION: 50 MICRON
11. A GAUSS PROBE WHEN ORIENTED NORMAL TO THE TURBINE O.D. SHALL MEASURE MIN. 100 GAUSS AT THIS DISTANCE FROM THE SURFACE OF THE TURBINE VANE.
12. THIS ASSEMBLY IS NSF STANDARD 61 LISTED.
13. THE CAGE IS MOLDED WITH GEOMETRY AT THIS LOCATION TO PROVIDE FOR INTERFERENCE FIT INTO THE SLOTTED BORE DEFINED IN "REFERENCE GEOMETRY FOR CUSTOMER APPLICATION".
14. THE LEGS OF THE CAGE ARE TAPERED AS DIMENSIONED TO ALLOW FOR CUSTOMER PROVISION OF 1/4° DRAFT IN A MOLDED SLOT.



REFERENCE GEOMETRY FOR CUSTOMER APPLICATION



UNLESS OTHERWISE SPECIFIED, DIMENSIONS ARE IN INCHES.		CONTRACT NO.		 <b>Gems Sensors Inc.</b> One Cowles Road Plainville, CT. USA 06062.1198	
TOLERANCES EXCEPT AS NOTED: DECIMAL .XX ± .010 .XXX ± .005 FRACTIONAL ± 1/64" ANGULAR ± 2° MACHINE FILLETS AND BREAK MACHINED EDGES .005-.015		SOLID MODEL NO.			
MATERIAL		DWN.	DATE	TITLE <b>FLOW TURBINE INSERT</b> FT-100	
NEXT ASSY. USED ON		HOSAKA	3/10/05		
APPLICATION		CHKD.	DATE		
PROPRIETARY NOTICE THIS DOCUMENT AND THE DATA DISCLOSED HEREIN OR HEREWITH IS NOT TO BE REPRODUCED, USED, OR DISCLOSED IN WHOLE OR IN PART TO ANYONE WITHOUT THE PERMISSION OF GEMS SENSORS INC.		PUPECKI	3/10/05		
FINISH		APPR.	DATE	SIZE	CODE IDENT NO
		B.GLENN	3/10/05	C	04034
		ACT.WT.	CALC.WT.	DWG. NO.	REV.
				215100	A
		CUSTOMER		SCALE	SHEET 1 OF 1
				2 : 1	
				c.c. 20341	