

REVISIONS			
DCR	DESCRIPTION	DATE	REV.
0566	NEW RELEASE	1-26-10	A

MATERIALS OF CONSTRUCTION

DESCRIPTION	PART NUMBER	MATERIAL
3/4" CRYOGENIC CHECK VALVE, BODY	KCV-1-750	CDA 360 BRASS, ASTM B16
3/4" CRYOGENIC CHECK VALVE, POPPET	KCV-2-750	NEOFLON PCTFE ASTM D1430
3/4" CRYOGENIC CHECK VALVE, RETAINER	KCV-3-750	CDA 360 BRASS, ASTM B16
CRYOGENIC CHECK VALVE SPRING	KCV-4-750	PHOSPHOR BRONZE, ASTM B159
SPIRAL RETAINING RING	WH-87-S02	302 STAINLESS STEEL ASTM A313

SPECIFICATION

MAX ALLOWABLE WORKING PRESSURE: 7,000 PSI

PROOF PRESSURE: 10,500 PSI

BURST PRESSURE: > 25,000 PSI

NOMINAL CRACK PRESSURE: 5 PSI

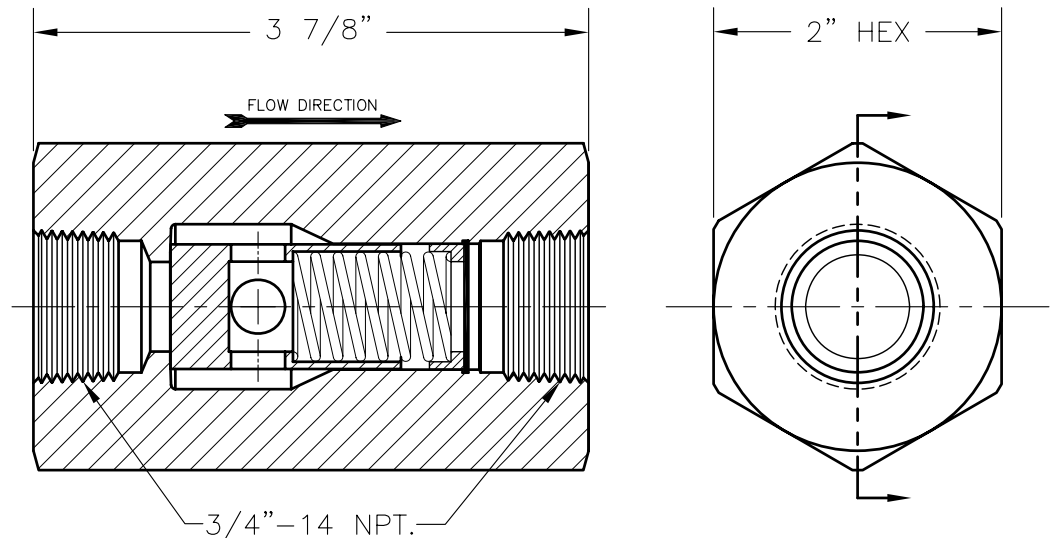
LEAKAGE: < 10cc PER MIN. @ 50 AND 100 PSI
BACK PRESSURE.


SUITABLE FOR CRYOGENIC SERVICE -420°F TO 200°F.

FLOW COEFFICIENT $C_v = 4.75$

ENGRAVE: GENERANT, PART NUMBER, MAWP 7000 PSI
-420°F TO 200°F AND FLOW ARROW

OPTIONS- CLEANED AND BAGGED FOR O₂ SERVICE



MATL. AS SPECIFIED	APPROVALS				
TOLERANCE SCHEDULE UNLESS OTHERWISE SPECIFIED	DRAWN H.H. PROD. M.G. ENG. B.B. MFG. M.G. Q.A. C.G.				
FRACTIONAL: ± 1/64" ANGLES: ± 1/2" XX ± .010 XXX ± .005 CONCENTRICITY: .005 T.I.R. FINISHED SURFACES: 63 Ra BREAK CORNERS/EDGES: .016 MAX.	SIZE: A	DATE: 5-4-09	DWG. NO.	KCV-750B	REV. A
	SCALE: .75:1	SHEET: 1 OF 1			

THIS DOCUMENT CONTAINS INFORMATION THAT IS CONFIDENTIAL AND PROPRIETARY TO GENERANT CO. INC.. THIS DOCUMENT IS FURNISHED ON THE UNDERSTANDING THAT THE DOCUMENT AND INFORMATION IT CONTAINS WILL NOT BE COPIED OR DISCLOSED TO OTHERS EXCEPT WITH THE WRITTEN CONSENT OF GENERANT. IT WILL NOT BE USED FOR ANY PURPOSE OTHER THAN CONDUCTING BUSINESS WITH GENERANT, AND WILL BE RETURNED AND ALL FURTHER USE DISCONTINUED UPON REQUEST BY GENERANT.