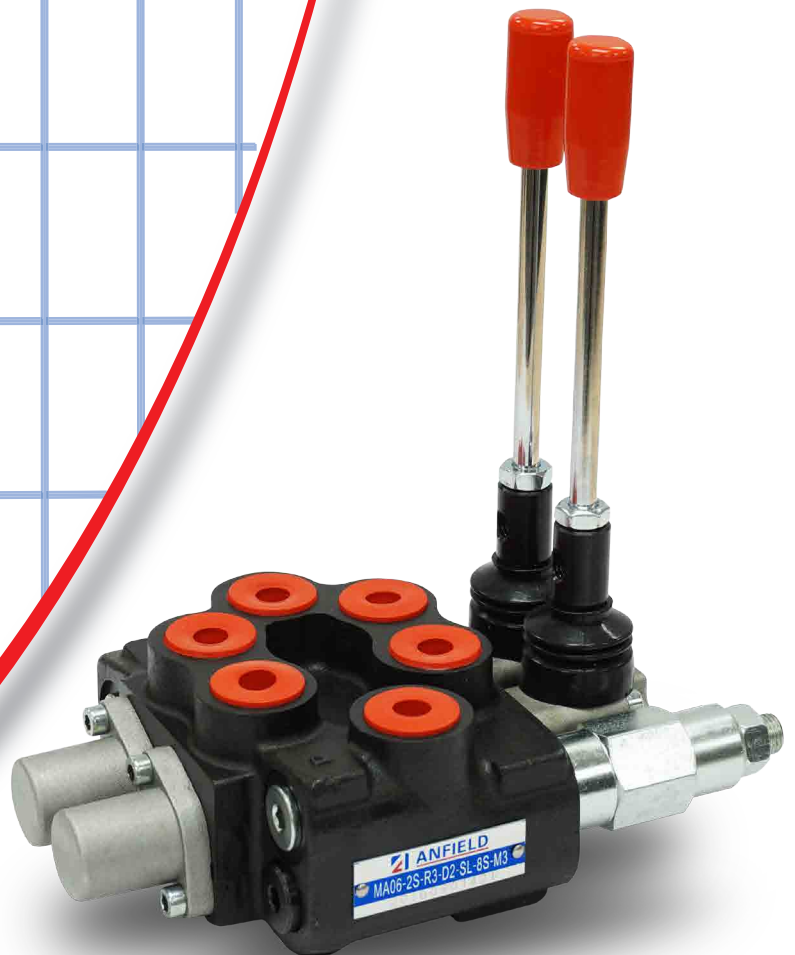




# MONOBLOCK VALVE







## MONOBLOCK DIRECTIONAL CONTROL VALVES

For mobile and industrial hydraulic applications.

### MA06 (6 GPM)

General Specifications	4
Dimensions	5
Performance Chart	6
Ordering Code	7

### MAV12 (12 GPM , Single Section)

General Specifications	8
Dimensions	9
Performance Chart	10
Ordering Code	11

### MA12 (12 GPM)

General Specifications	12
Dimensions	13
Performance Chart	14
Ordering Code	15

### MA18 (18 GPM)

General Specifications	16
Dimensions	17
Performance Chart	18
Ordering Code	19

### MAC21 (21 GPM)

General Specifications	20
Dimensions	21
Performance Chart	22
Ordering Code	23



# MA06 SERIES



Anfield valve model MA06 model is a 6 gpm (25 l/m) monoblock directional valve that is available from single spool through 6 spool configurations. They feature metered spools for smooth shifting and transition, built in adjustable relief valve, hardened steel spools and come standard with SAE 8 work and inlet/outlet ports. The hand levers are field adjustable for either horizontal or vertical mounting. Field convertible to utilize the power beyond plug. Stock configurations with open center, blocked center for cylinder applications or Pressure blocked, A & B to Tank center position for motor applications.

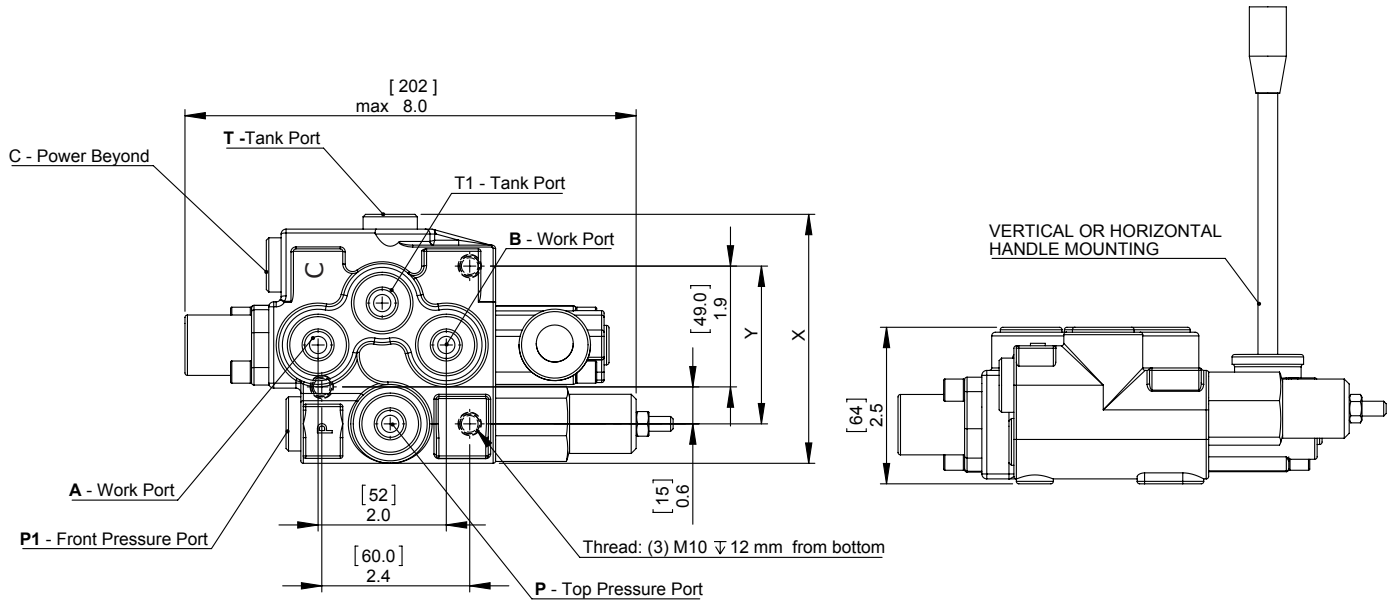
**Applications:**

- Agricultural
- Construction
- Mining
- Material handling equipment
- Maintenance machinery

## TECHNICAL DATA

Nominal Flow Rate	6 GPM	25 L/min
Max Flow Rate	8 GPM	30 L/min
Sections Available	1 to 6 Sections	
Max. Operating Pressure	3600 psi	250 bar
Max Pressure for P port	3600 psi	250 bar
Max Pressure for A & B port	3600 psi	250 bar
Max Pressure for T port	360 psi	25 bar
Recommended Oil Viscosity Range	0.02 to 0.12 in <sup>2</sup> /s	15 to 75 mm <sup>2</sup> /s
Recommended Temperature Range	-40°F to 140°F	-40°C to 60°C

# MA06 - DIMENSIONS



## STANDARD THREADS

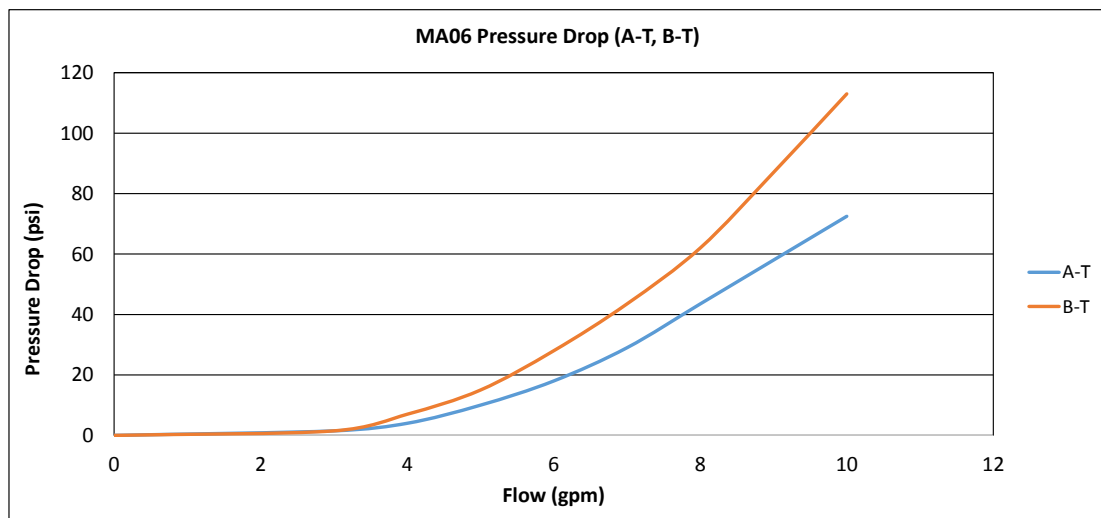
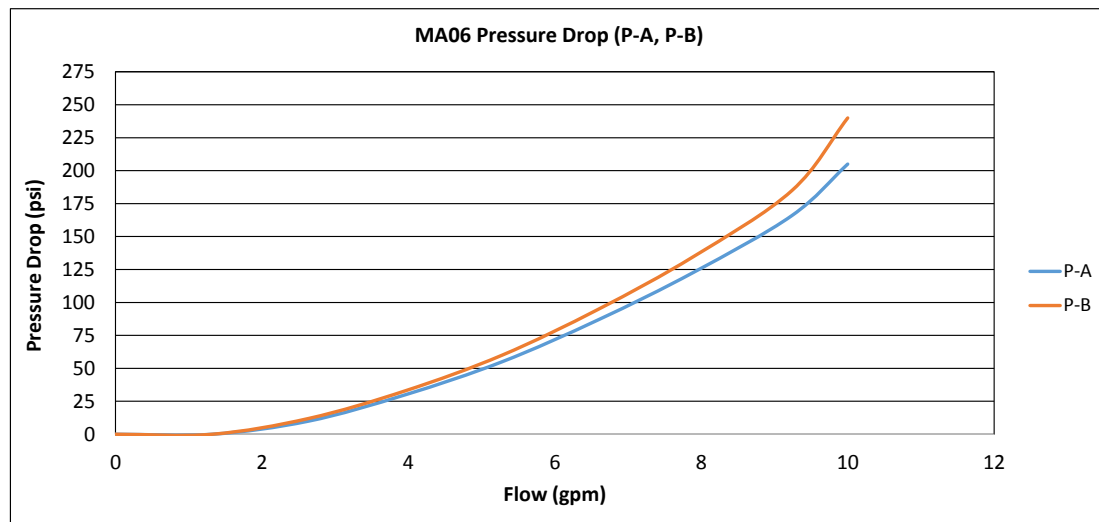
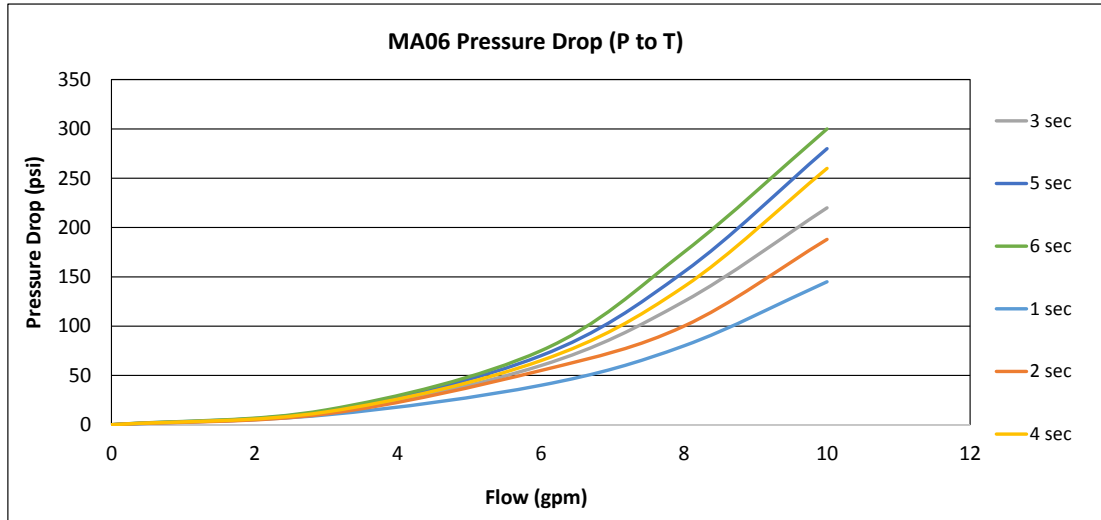
Ports	Inlet P	A and B	Outlet T and C
	3/4-16 (SAE 8)	3/4-16 (SAE 8)	3/4-16 (SAE 8)

## STANDARD DIMENSIONS

Model	X		Y	
	inch	mm	inch	mm
MA06 - 1 Spool	3.9	100	2.5	64
MA06 - 2 Spool	5.2	132	3.8	96
MA06 - 3 Spool	6.5	164	5.0	128
MA06 - 4 Spool	7.7	196	6.3	160
MA06 - 5 Spool	9.0	228	7.6	192
MA06 - 6 Spool	10.3	260	8.9	224



# MA06 - GENERAL SPECIFICATIONS





## Ordering Code :

Example :

MA06 - 2S - R2 - First Spool D1 - 1 - L - Second Spool D2 - 1 - L - 8S - M3

### 1. BODY KITS :

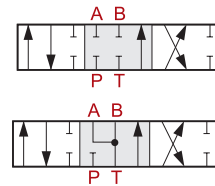
- |                       |                       |
|-----------------------|-----------------------|
| <b>1S</b> - 1 Section | <b>4S</b> - 4 Section |
| <b>2S</b> - 2 Section | <b>5S</b> - 5 Section |
| <b>3S</b> - 3 Section | <b>6S</b> - 6 Section |

### 2. INLET RELIEF:

- R2** - 40 Bar to 80 Bar (580 psi to 1160 psi), Standard Setting 80 Bar (1160 psi)  
**R3** - 63 Bar to 200 Bar (914 psi to 2900 psi), Standard Setting 120 Bar (1740 psi)  
**R4** - 160 Bar to 315 Bar (2320 psi to 4568 psi), Standard Setting 220 Bar (3190 psi)  
**SV** Relief valve blanking plug

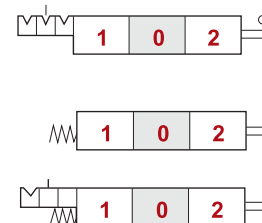
### 3. SPOOL TYPE:

- D1** - 4 Way 3 Position  
A, B Closed in Neutral Position
- D2** - 4 Way 3 Position  
A, B Open to Tank in neutral Position



### 4. B SIDE SPOOL POSITION

- 1** - 3 Position Detent
- S** - Spring Center to Neutral
- DS3** - Detent in position 1 with spring centered



### 5. A SIDE SPOOL POSITION

- L** - Lever Handle
- DP** - Dust Plate (No handle and handle box)

### 6. THREAD

- 8S** - A, B Ports - 3/4-16 (SAE8)

### 7. OPTIONS

- M3** - No Power Beyond
- M8** - Power Beyond

\*Other options available upon request



## MAV12 - GENERAL SPECIFICATIONS



# MAV12 SERIES

Anfield valve model MAV12 model is a 12 gpm (45 l/m) monoblock directional valve that is only offered in a single spool configuration for a compact design. MAV12 features metered spools for smooth shifting and transition, built in adjustable relief valve, hardened steel spools and come standard with SAE 8 work and inlet/outlet ports. The hand levers are field adjustable for either horizontal or vertical mounting. Stock configurations with open center, blocked center for cylinder applications or Pressure blocked, A & B to Tank center position for motor applications.

#### Applications:

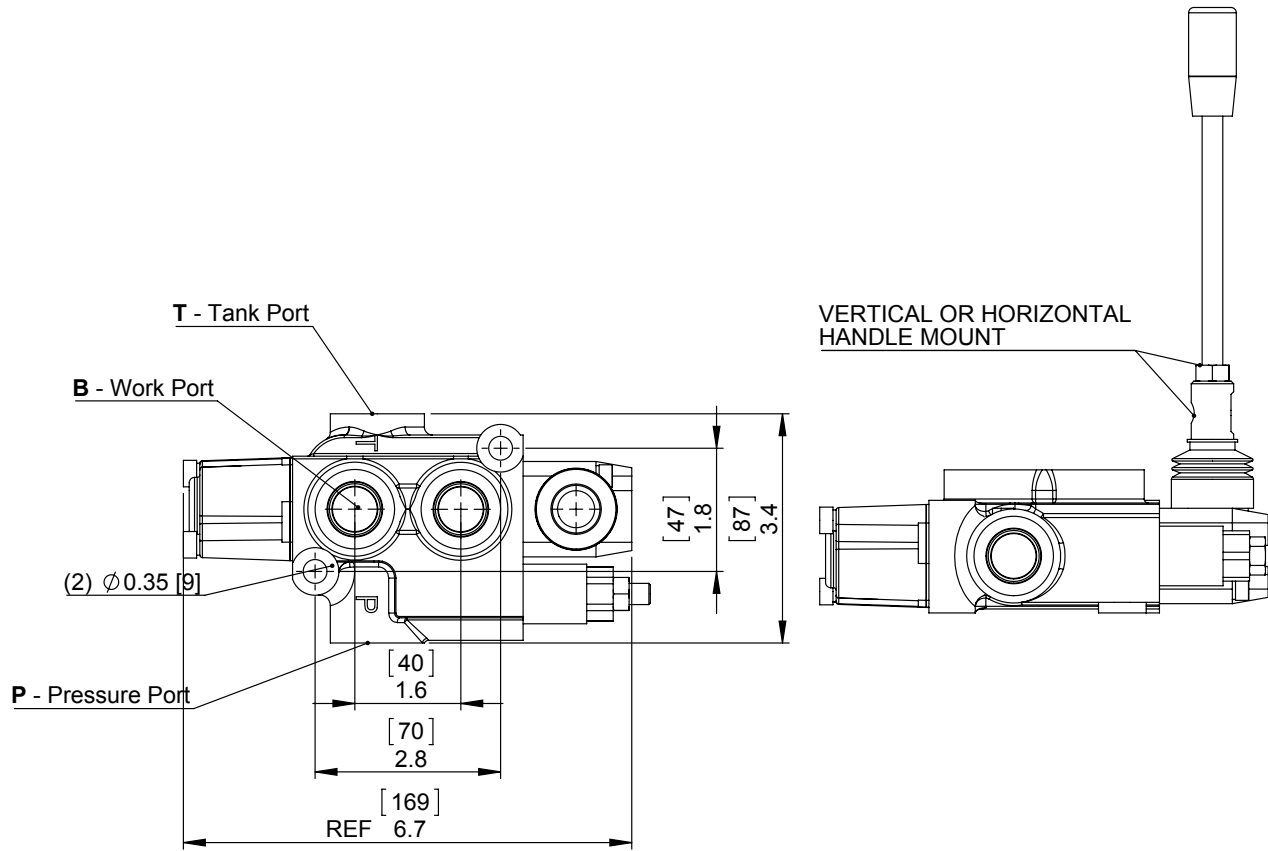
- Agricultural
- Construction
- Mining
- Material handling equipment
- Maintenance machinery

### TECHNICAL DATA

Nominal Flow Rate	12 GPM	45 L/min
Max Flow Rate	14 GPM	55 L/min
Sections Available	1 Section	
Max. Operating Pressure	4500 psi	310 bar
Max Pressure for P port	4500 psi	310 bar
Max Pressure for A & B port	4500 psi	310 bar
Max Pressure for T port	360 psi	25 bar
Recommended Oil Viscosity Range	0.02 to 0.12 in <sup>2</sup> /s	15 to 75 mm <sup>2</sup> /s
Recommended Temperature Range	-40°F to 140°F	-40°C to 60°C



# MAV12 - DIMENSIONS

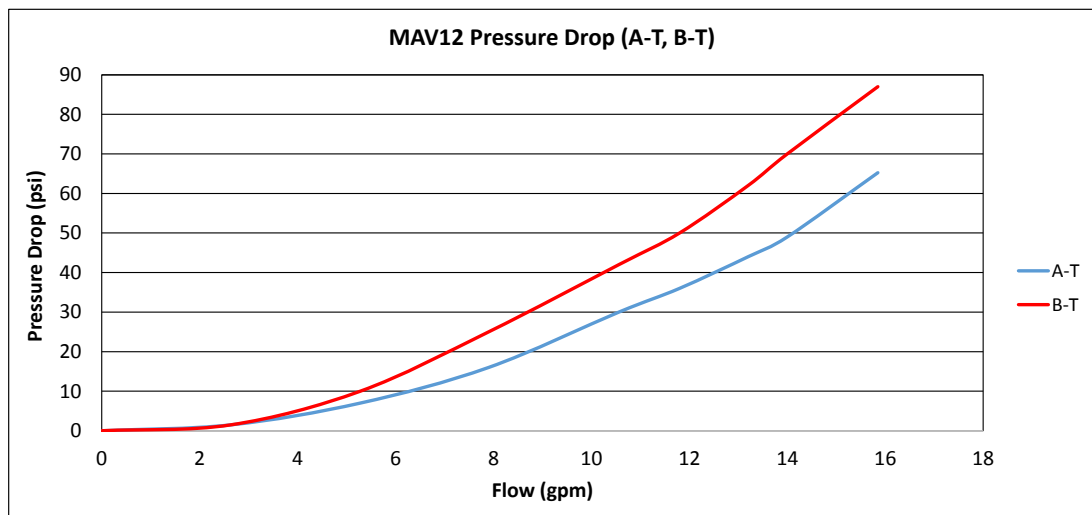
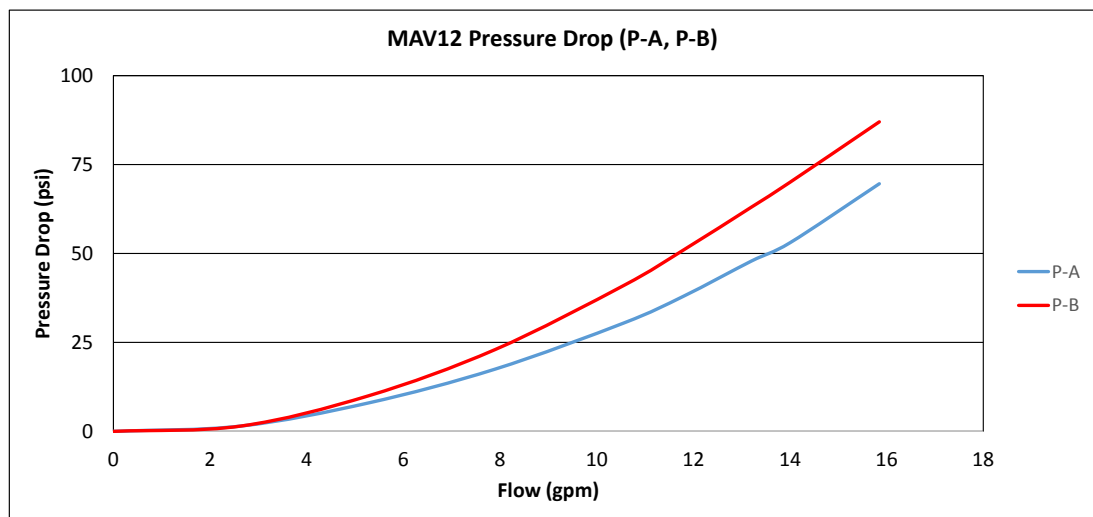
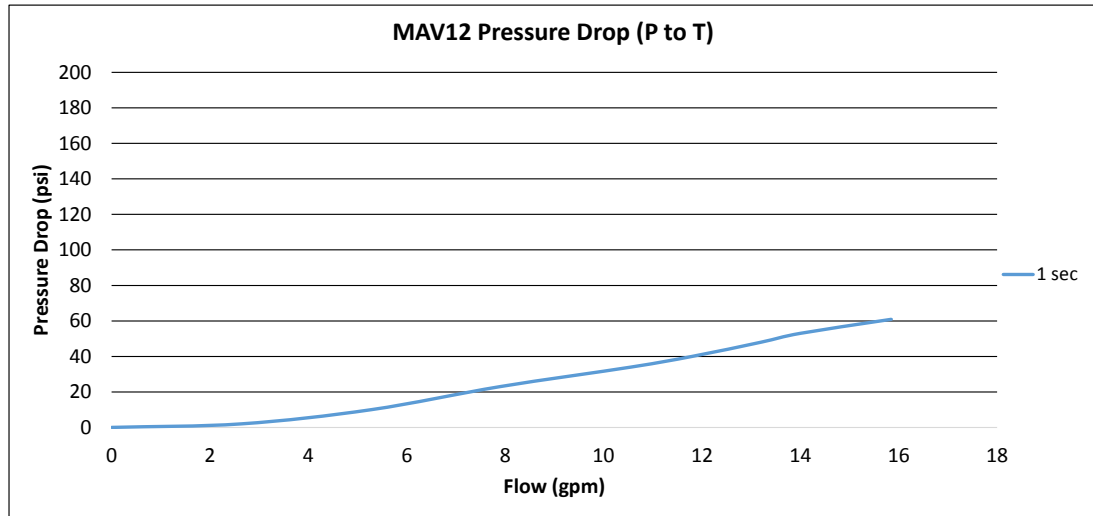


## STANDARD THREADS

Ports	Inlet P	A and B	Outlet T and C
		3/4-16 (SAE 8)	3/4-16 (SAE 8)



# MAV12 - GENERAL SPECIFICATIONS





## Ordering Code :

Example :

MAV-12 - 1S - R2 - D1 - 1 - L - 8S - M1

### 1. BODY KITS :

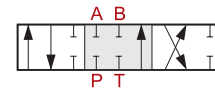
**1S** - 1 Section (Only offered with 1 section)

### 2. INLET RELIEF:

- R2** - 40 Bar to 80 Bar (580 psi to 1160 psi), Standard Setting 80 Bar (1160 psi)
- R3** - 63 Bar to 200 Bar (914 psi to 2900 psi), Standard Setting 120 Bar (1740 psi)
- R4** - 160 Bar to 315 Bar (2320 psi to 4568 psi), Standard Setting 220 Bar (3190 psi)
- SV** Relief valve blanking plug

### 3. SPOOL TYPE:

**D1** - 4 Way 3 Position  
A, B Closed in Neutral Position



**D2** - 4 Way 3 Position  
A, B Open to Tank in neutral Position



### 4. B SIDE SPOOL POSITION

**1** - 3 Position Detent



**S** - Spring Center to Neutral



### 5. A SIDE SPOOL POSITION

**L** - Lever Handle

**DP** - Dust Plate (No handle and handle box)

### 6. THREAD

**8S** - A, B Ports - 3/4-16 (SAE8)

### 7. PORT

**M1** - No Power Beyond



# MA12 SERIES



Anfield valve model MA12 model is a 12 gpm (45 l/m) monoblock directional valve that is available from single spool through 6 spool configurations. They feature metered spools for smooth shifting and transition, built in adjustable relief valve, hardened steel spools and come standard with SAE 8 work and inlet/outlet ports. The hand levers are field adjustable for either horizontal or vertical mounting. Field convertible to utilize the power beyond plug. Stock configurations with open center, blocked center for cylinder applications or Pressure blocked, A & B to Tank center position for motor applications.

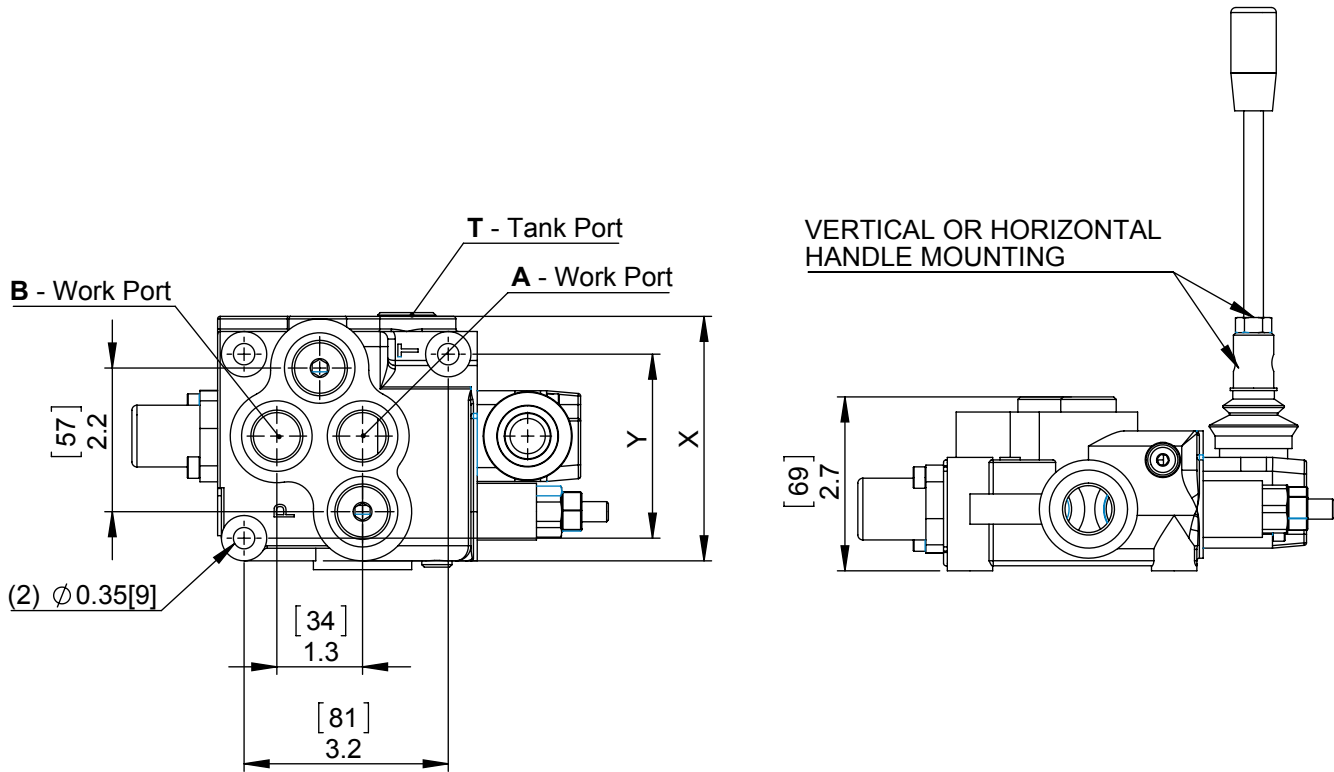
**Applications:**

- Agricultural
- Construction
- Mining
- Material handling equipment
- Maintenance machinery

## TECHNICAL DATA

Nominal Flow Rate	12 GPM	45 L/min
Max Flow Rate	14 GPM	55 L/min
Sections Available	1-6	
Max. Operating Pressure	4500 psi	310 bar
Max Pressure for P port	4500 psi	310 bar
Max Pressure for A & B port	4500 psi	310 bar
Max Pressure for T port	360 psi	25 bar
Recommended Oil Viscosity Range	0.02 to 0.12 in <sup>2</sup> /s	15 to 75 mm <sup>2</sup> /s
Recommended Temperature Range	-40°F to 140°F	-40°C to 60°C

# MA12 - DIMENSIONS



## STANDARD THREADS

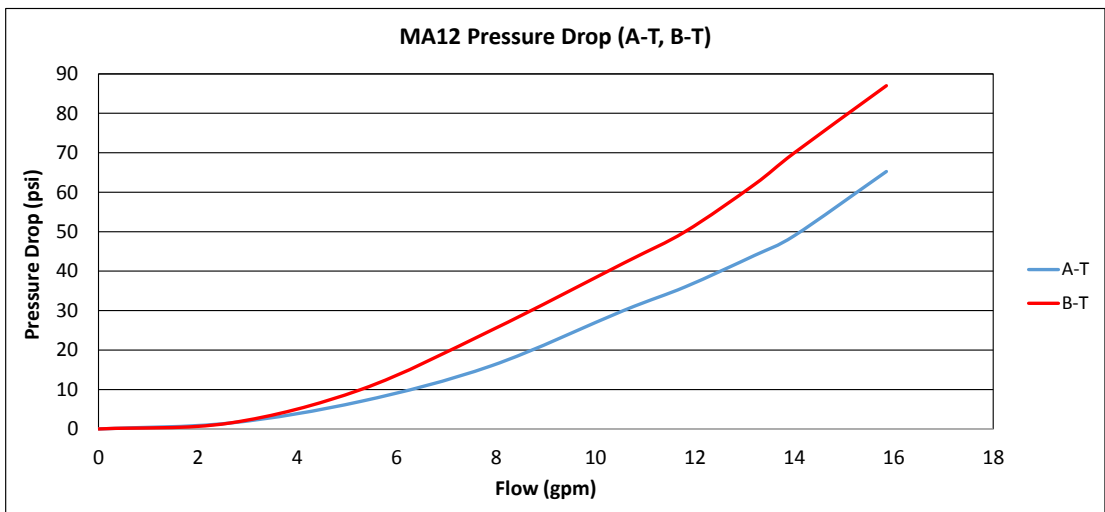
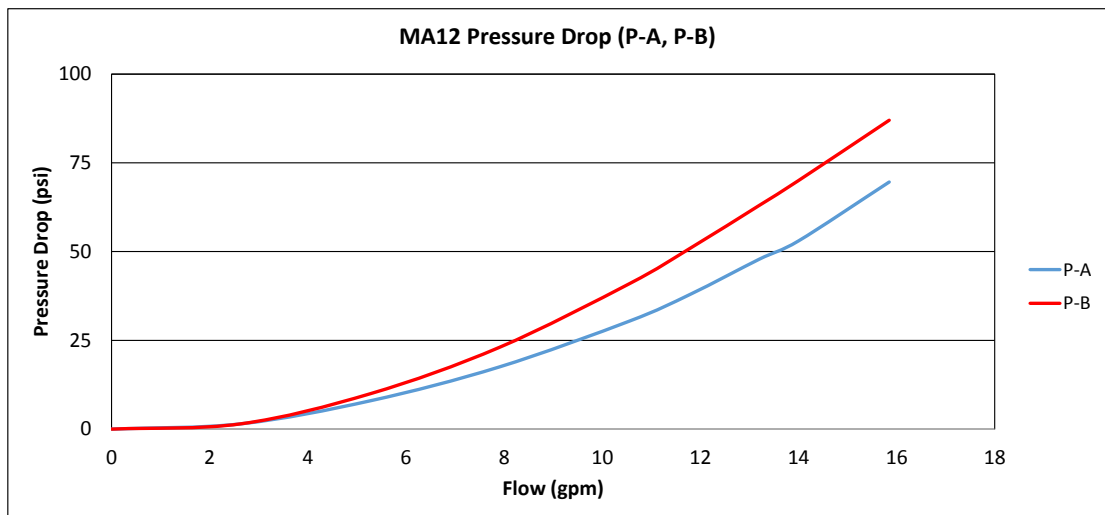
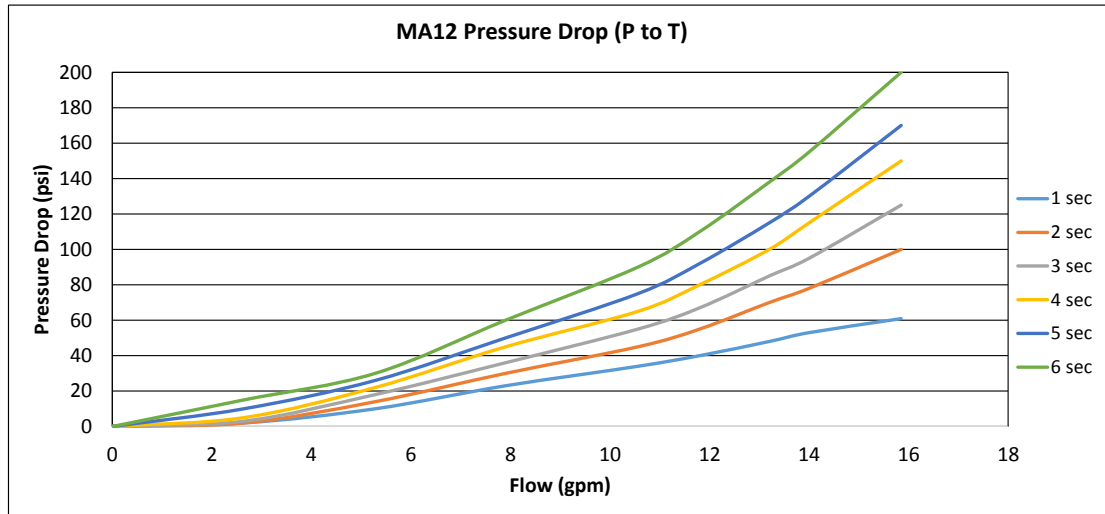
Ports	Inlet P	A and B	Outlet T and C
	3/4-16 (SAE 8)	3/4-16 (SAE 8)	3/4-16 (SAE 8)

## STANDARD DIMENSIONS

Model	X		Y		Z	
	inch	mm	inch	mm	inch	mm
MA12 - 1 Spool	3.9	100.5	2.8	73	2.8	70
MA12 - 2 Spool	5.4	137.5	4.3	110	3.2	81
MA12 - 3 Spool	6.9	174.5	5.7	147	3.2	81
MA12 - 4 Spool	8.3	211.5	6.3	160	3.2	81
MA12 - 5 Spool	9.7	248.5	8.6	220	3.2	81
MA12 - 6 Spool	11.2	285.5	10.2	260	3.2	81



# MA12 - GENERAL SPECIFICATIONS





## Ordering Code :

Example :

	First Spool	Second Spool	
MA12 - 2S - R2 -	D1 - 1 - L -	D2 - 1 - L -	8S - M3

### 1. BODY KITS :

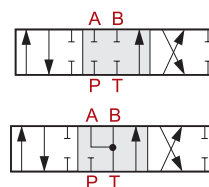
- |                       |                       |
|-----------------------|-----------------------|
| <b>1S</b> - 1 Section | <b>4S</b> - 4 Section |
| <b>2S</b> - 2 Section | <b>5S</b> - 5 Section |
| <b>3S</b> - 3 Section | <b>6S</b> - 6 Section |

### 2. INLET RELIEF:

- R2** - 40 Bar to 80 Bar (580 psi to 1160 psi), Standard Setting 80 Bar (1160 psi)
- R3** - 63 Bar to 200 Bar (914 psi to 2900 psi), Standard Setting 120 Bar (1740 psi)
- R4** - 160 Bar to 315 Bar (2320 psi to 4568 psi), Standard Setting 220 Bar (3190 psi)
- SV** Relief valve blanking plug

### 3. SPOOL TYPE:

- D1** - 4 Way 3 Position  
A, B Closed in Neutral Position
- D2** - 4 Way 3 Position  
A, B Open to Tank in neutral Position



### 4. B SIDE SPOOL POSITION

- 1** - 3 Position Detent
- S** - Spring Center to Neutral
- DS3** - Detent in position 1 with spring centered



### 5. A SIDE SPOOL POSITION

- L** - Lever Handle
- DP** - Dust Plate (No handle and handle box)
- J** - Joystick lever for 2 section operation

### 6. THREAD

- 8S** - A, B - 3/4-16 (SAE8)

### 7. OPTIONS

- M3** - No Power Beyond
- M8** - Power Beyond



## MA18 - GENERAL SPECIFICATIONS

# MA18 SERIES



Anfield valve model MA18 model is a 18 gpm (70 l/m) monoblock directional valve that is available from single spool through 6 spool configurations. They feature metered spools for smooth shifting and transition, built in adjustable relief valve, hardened steel spools and come standard with SAE 10 & SAE-12 work and inlet/outlet ports. The hand levers are field adjustable for either horizontal or vertical mounting. Field convertible to utilize the power beyond plug. Stock configurations with open center, blocked center for cylinder applications or Pressure blocked, A & B to Tank center position for motor applications.

### Applications:

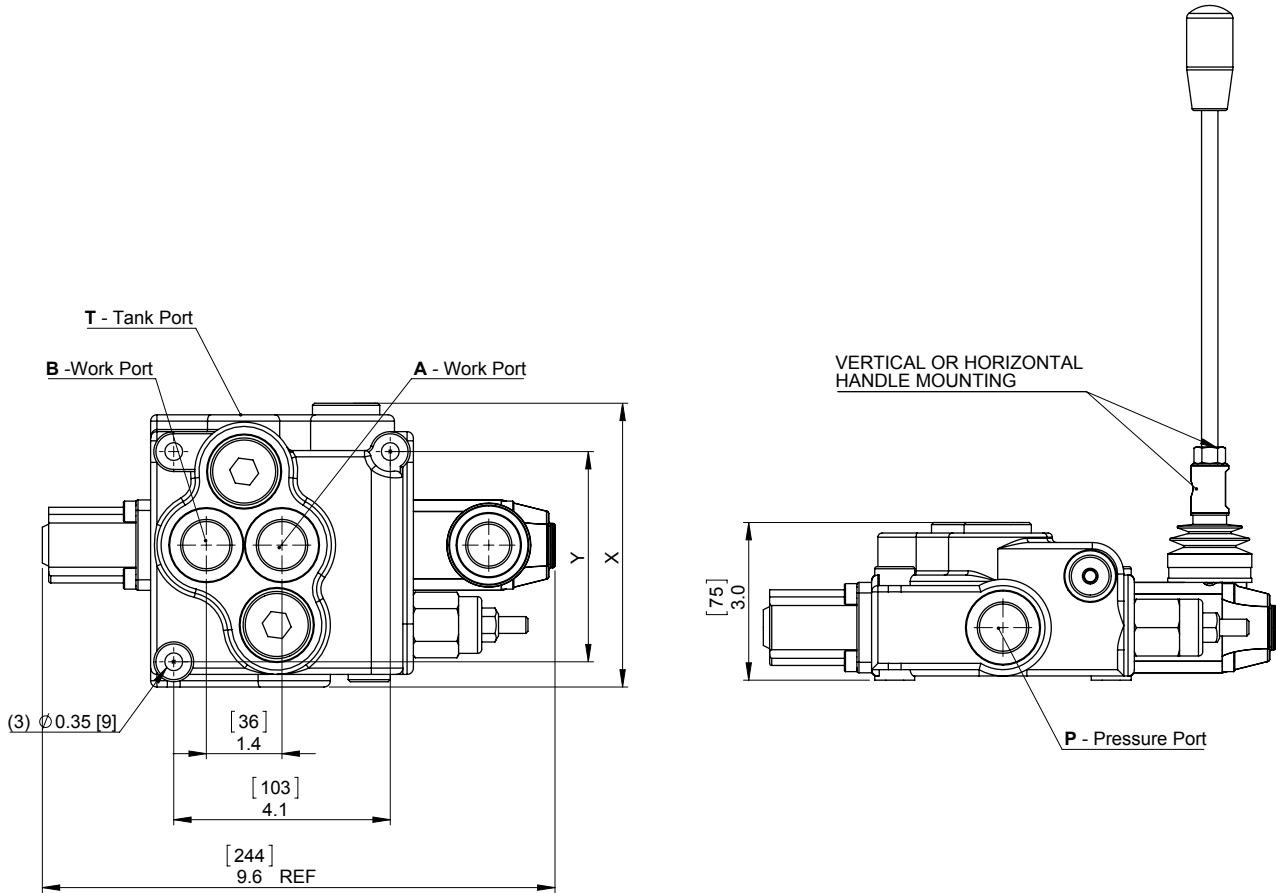
- Agricultural
- Construction
- Mining
- Material handling equipment
- Maintenance machinery

### TECHNICAL DATA

Nominal Flow Rate	18 GPM	70 L/min
Max Flow Rate	21 GPM	80 L/min
Sections Available	1-6	
Max. Operating Pressure	4500 psi	310 bar
Max Pressure for P port	4500 psi	310 bar
Max Pressure for A & B port	4500 psi	310 bar
Max Pressure for T port	360 psi	25 bar
Recommended Oil Viscosity Range	0.02 to 0.12 in <sup>2</sup> /s	15 to 75 mm <sup>2</sup> /s
Recommended Temperature Range	-40°F to 140°F	-40°C to 60°C



# MA18 - DIMENSIONS



## STANDARD THREADS

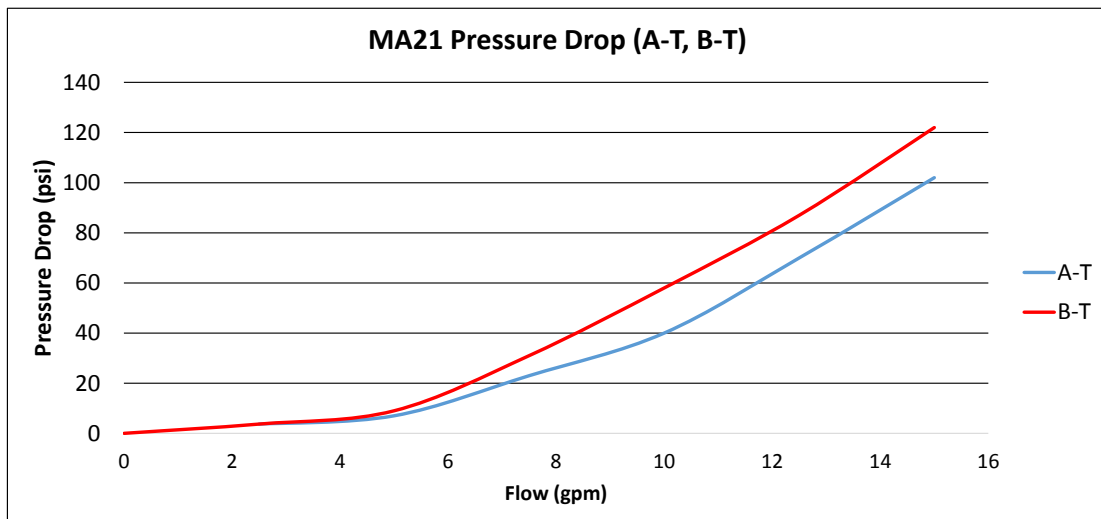
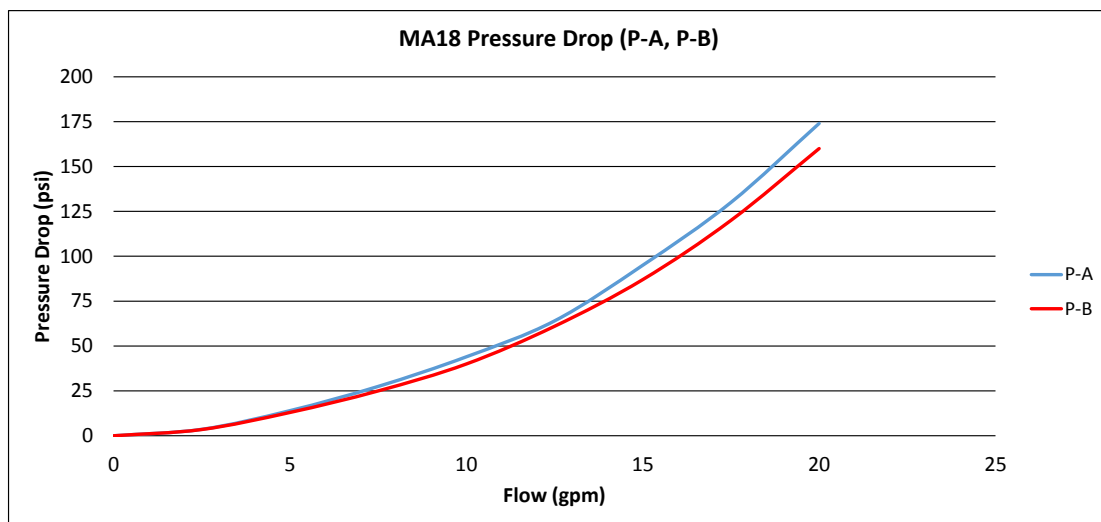
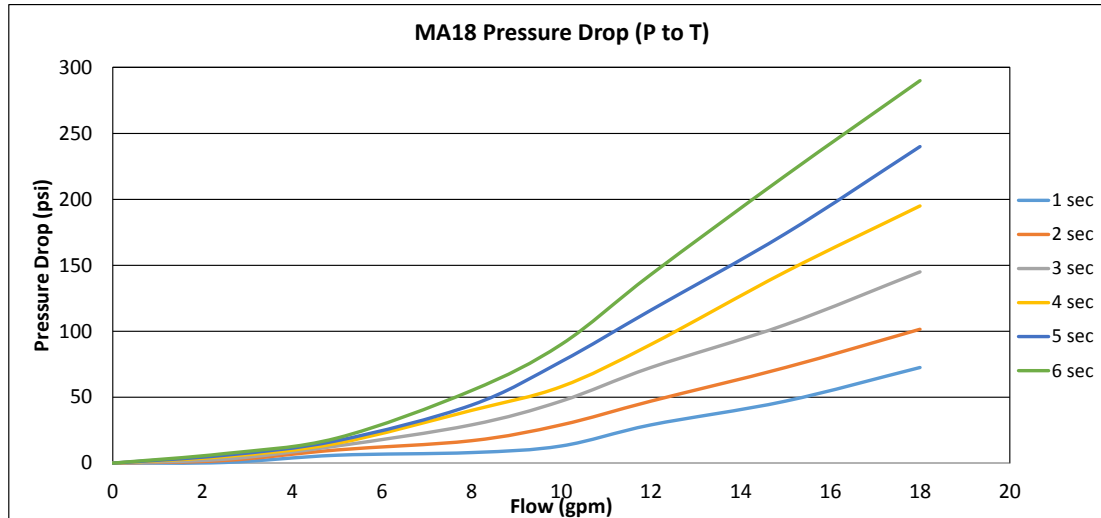
Ports	Inlet P	A and B	Outlet T and C
	1-1/16-12 (SAE 12)	7/8-14 (SAE 10)	1-1/16-12 (SAE 12)

## STANDARD DIMENSIONS

Model	X		Y	
	inch	mm	inch	mm
MA18 - 1 Spool	5.3	135	3.9	100
MA18 - 2 Spool	7.1	180	5.7	145
MA18 - 3 Spool	8.9	225	7.5	190
MA18 - 4 Spool	10.6	270	9.3	235
MA18 - 5 Spool	12.4	315	11	280
MA18 - 6 Spool	14.2	360	12.8	325



# MA18 - GENERAL SPECIFICATIONS





## Ordering Code :

Example : First Spool Second Spool  
 MA18 - 2S - R2 - D1 - 1 - L - D2 - 1 - L - 10S - M3

### 1. BODY KITS :

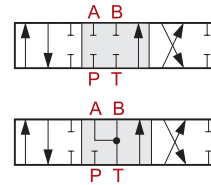
- |                       |                       |
|-----------------------|-----------------------|
| <b>1S</b> - 1 Section | <b>4S</b> - 4 Section |
| <b>2S</b> - 2 Section | <b>5S</b> - 5 Section |
| <b>3S</b> - 3 Section | <b>6S</b> - 6 Section |

### 2. INLET RELIEF:

- R2** - 40 Bar to 80 Bar (580 psi to 1160 psi), Standard Setting 80 Bar (1160 psi)  
**R3** - 63 Bar to 200 Bar (914 psi to 2900 psi), Standard Setting 120 Bar (1740 psi)  
**R4** - 160 Bar to 315 Bar (2320 psi to 4568 psi), Standard Setting 220 Bar (3190 psi)  
**SV** Relief valve blanking plug

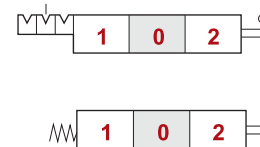
### 3. SPOOL TYPE:

- D1** - 4 Way 3 Position  
 A, B Closed in Neutral Position
- D2** - 4 Way 3 Position  
 A, B Open to Tank in neutral Position



### 4. B SIDE SPOOL POSITION

- 1** - 3 Position Detent
- S** - Spring Center to Neutral



### 5. A SIDE SPOOL POSITION

- L** - Lever Handle
- DP** - Dust Plate (No handle or handle box)

### 6. THREAD

- 10S** - A, B Ports- 7/8-14 (SAE 10)

### 7. OPTIONS

- M3** - No Power Beyond
- M8** - Power Beyond



# MAC21 SERIES



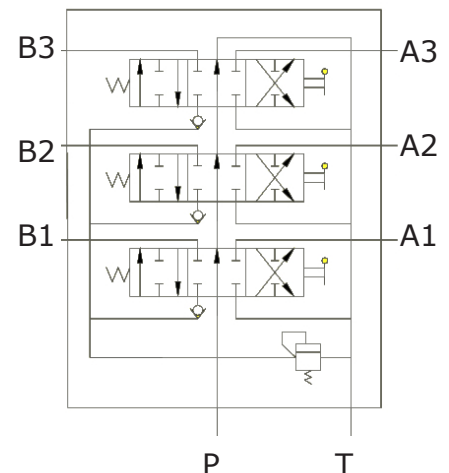
Anfield valve model MAC21 model is a 21 gpm (80 l/m) monoblock directional valve that is available from single spool through 6 spool configurations. They feature metered spools for smooth shifting and transition, built in adjustable relief valve, hardened steel spools and come standard with SAE 8 work and inlet/outlet ports. The hand levers are field adjustable for either horizontal or vertical mounting. Field convertible to utilize the included power beyond plug. Stock configurations with open center, blocked center for cylinder applications or Pressure blocked, A & B to Tank center position for motor applications.

### Applications:

- Agricultural
- Construction
- Mining
- Material handling equipment
- Maintenance machinery

### TECHNICAL DATA

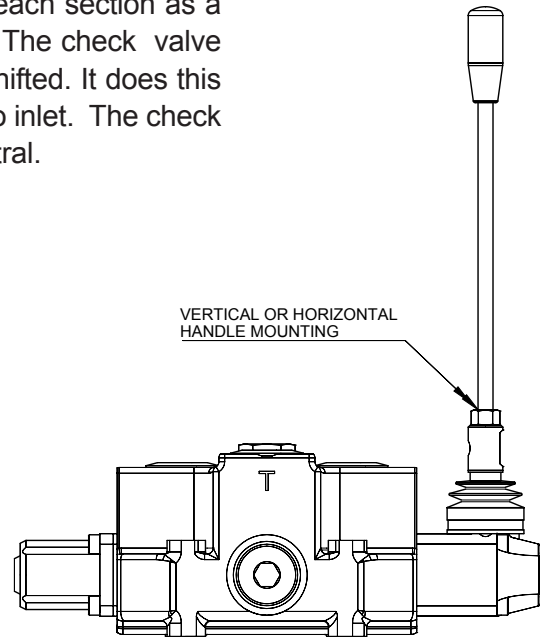
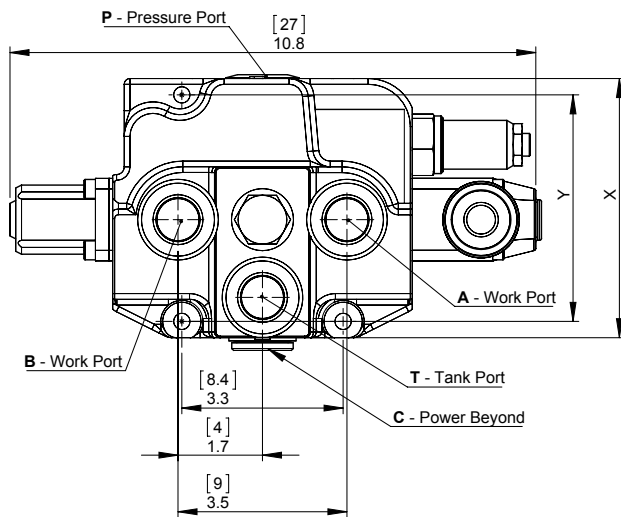
Nominal Flow Rate	21 GPM	80 L/min
Max Flow Rate	26 GPM	100 L/min
Sections Available	1-6	
Max. Operating Pressure	4500 psi	310 bar
Max Pressure for P port	4500 psi	310 bar
Max Pressure for A & B port	4500 psi	310 bar
Max Pressure for T port	360 psi	25 bar
Oil Viscosity Range	0.02 to 0.12 in <sup>2</sup> /s	15 to 75 mm <sup>2</sup> /s
Temperature Range	-40°F to 140°F	-40°C to 60°C



# MAC21 - DIMENSIONS



The MAC21 comes with check valve feature for each section as a standard. Relief valve is an optional alternative. The check valve will prevent the load from falling as the spool is shifted. It does this by preventing the back-flow of oil from work port to inlet. The check valve does not hold load when the spool is in neutral.



## STANDARD THREADS

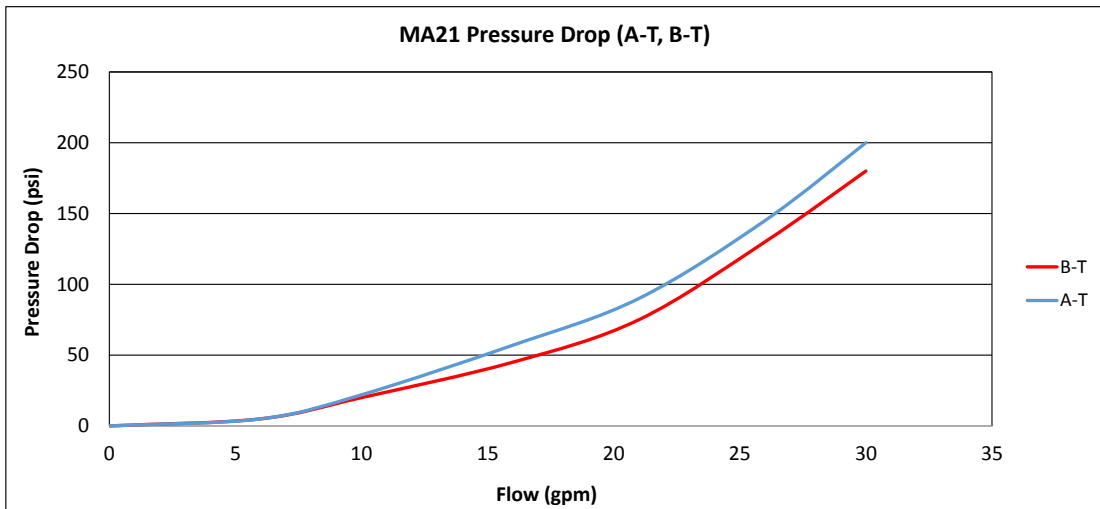
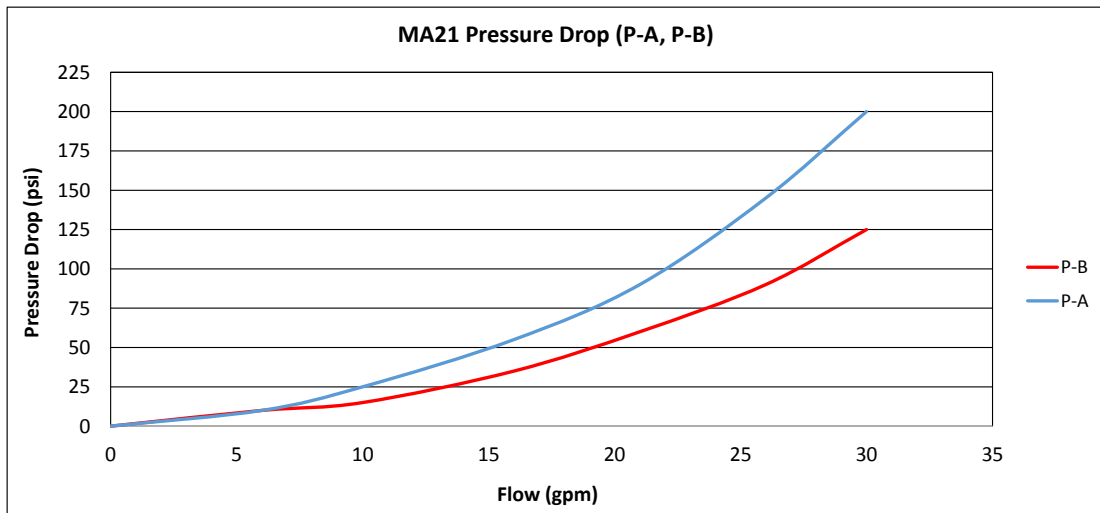
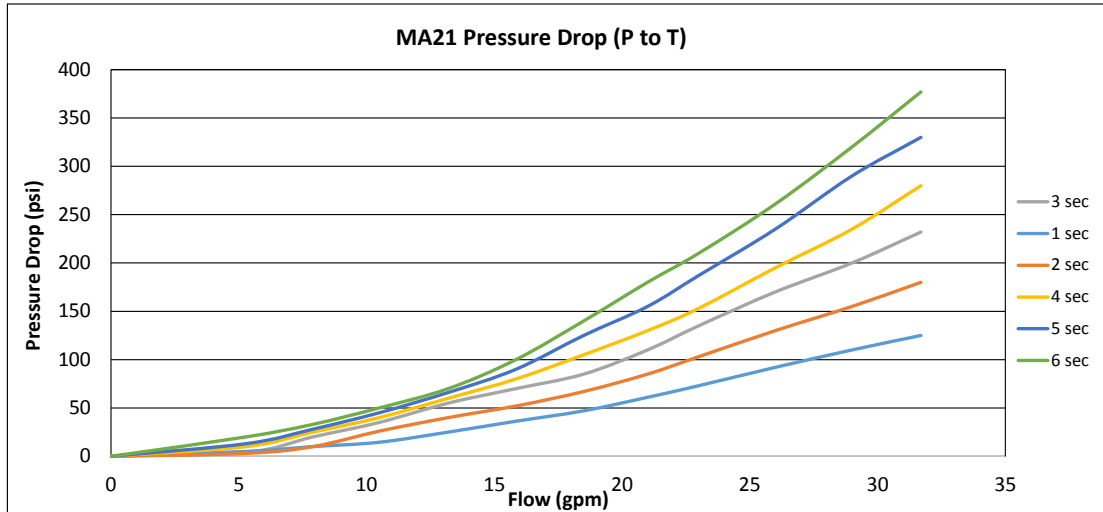
Ports	Inlet P	A and B	Outlet T and C
		1-1/16-12 (SAE 12)	1-1/16-12 (SAE 12)

## STANDARD DIMENSIONS

Model	X		Y	
	inch	mm	inch	mm
MAC21 - 1 Spool	5.3	135	4.6	118
MAC21 - 2 Spool	7.1	180	6.4	163
MAC21 - 3 Spool	8.9	225	8.2	208
MAC21 - 4 Spool	10.3	261.5	10.0	253
MAC21 - 5 Spool	12.4	315	11.7	298
MAC21 - 6 Spool	14.2	360	13.5	343



# MAC21 - GENERAL SPECIFICATIONS





## Ordering Code :

Example :

MAC21 - 2S - R - First Spool D1 - 1 - L - Second Spool D2 - 1 - L - 12S - M3

### 1. BODY KITS :

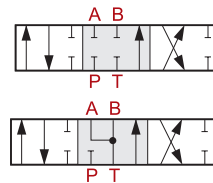
- |                       |                       |
|-----------------------|-----------------------|
| <b>1S</b> - 1 Section | <b>4S</b> - 4 Section |
| <b>2S</b> - 2 Section | <b>5S</b> - 5 Section |
| <b>3S</b> - 3 Section | <b>6S</b> - 6 Section |

### 2. INLET RELIEF:

- R2** - 40 Bar to 80 Bar (580 psi to 1160 psi), Standard Setting 80 Bar (1160 psi)  
**R3** - 63 Bar to 200 Bar (914 psi to 2900 psi), Standard Setting 120 Bar (1740 psi)  
**R4** - 160 Bar to 315 Bar (2320 psi to 4568 psi), Standard Setting 220 Bar (3190 psi)  
**SV** Relief valve blanking plug

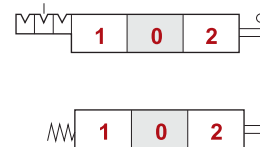
### 3. SPOOL TYPE:

- D1** - 4 Way 3 Position  
A, B Closed in Neutral Position
- D2** - 4 Way 3 Position  
A, B Open to Tank in neutral Position



### 4. B SIDE SPOOL POSITION

- 1** - 3 Position Detent
- S** - Spring Center to Neutral



### 5. A SIDE SPOOL POSITION

- L** - Lever Handle
- DP** - Dust Plate (No handle or handle box)

### 6. THREAD

- 12S** - A, B Ports - 1-1/16-12 (SAE 12)

### 7. OPTIONS

- M3** - No Power Beyond
- M8** - Power Beyond



### Canada

#### MP Filtri Canada

8831 Keele Street,  
Concord, Ontario, Canada, L4K 2N1  
Phone : (905) 303-1369  
Fax : (905) 303-7256  
Email : sales@mpfiltricanada.com

### USA

#### Anfield Industries Inc.

375 International Park, Suite 300  
Newnan, GA, 30265  
Phone : (404) 530-3804  
Fax : (404) 530-3805  
Email : info@anfieldind.com

Released: Jan 2017