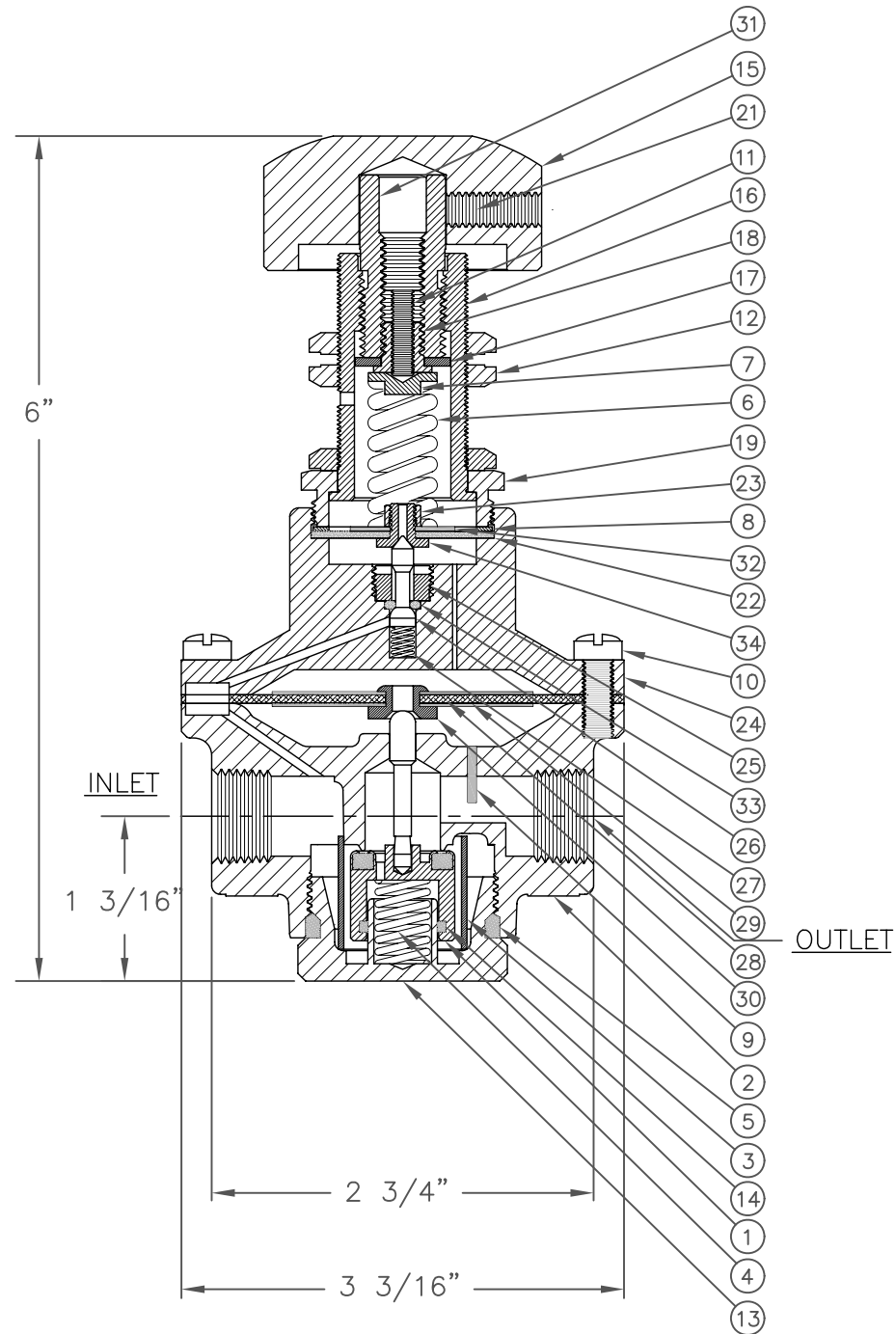


| REVISIONS                    |           |      |
|------------------------------|-----------|------|
| DESCRIPTION                  | DATE      | REV. |
| UPDATED WASHER-DIAPHRAGM P/N | 2-23-2011 | A    |

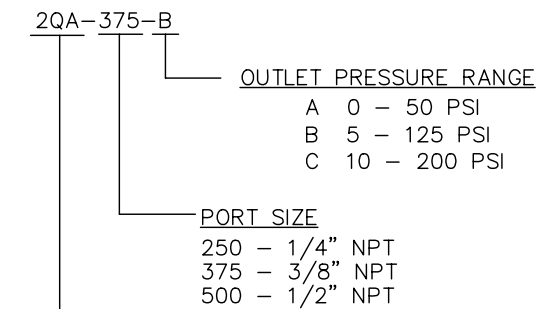


MAX. INLET PRESSURE 400 PSI (27.6 BAR)  
RELIEVING

PARTS LIST

| ITEM # | DESCRIPTION                          | PART NUMBER  | MATERIAL        |
|--------|--------------------------------------|--------------|-----------------|
| 1      | VALVE STEM ASSY, REL VITON           | G-206-R-V    | BRASS AND VITON |
| 2      | BODY, 3/8" 2 PORT SER. QA REGULATOR  | QA-20-2P-375 | BRASS           |
| 3      | SIEVE, SERIES 200 REGULATOR          | G-209        | 304 SST.        |
| 4      | VALVE, SPRING, 200 SERIES REGULATOR  | G-216        | 17-7 SST.       |
| 5      | O'RING SERIES 916 VITON 75 DURO      | 916-V75      | VITON           |
| 6      | "A" RANGE SPRING, 0-50 PSI           | G-112-A      | MUSIC WIRE      |
|        | "B" RANGE SPRING, 5-125 PSI          | G-112-B      | MUSIC WIRE      |
|        | "C" RANGE SPRING, 10-200 PSI         | G-112-C      | MUSIC WIRE      |
| 7      | SPRING BUTTON, 100 SERIES REGULATOR  | G-114        | BRASS           |
| 8      | WASHER-DIAPHRAM (FIBER) SERIES J     | J-12-F       | FIBER           |
| 9      | 1/16" DIA X 3/8" LONG SS ROLL        | GDR-8-500    | 18-8 SST.       |
| 10     | SCREW, 12-24 X 1/2" ZINC & CAD PLATE | G-213 (6)    | ZINC PLATE      |
| 11     | SCREW, 5/16"-18 X 3/8" SOCKET        | SCR012       | ALLOY           |
| 12     | PANEL NUT, SERIES QA REGULATOR       | QA-9 (3)     | BRASS           |
| 13     | PLUG, BOTTOM SERIES 200 REGULATOR    | G-203        | BRASS           |
| 14     | O'RING, SERIES 014 VITON 75 DURO     | 014-V75      | VITON           |
| 15     | KNOB, ALUMINUM QA SERIES REGULATOR   | QA-3R        | ALUMINUM        |
| 16     | HOUSING, SERIES QA REGULATOR         | QA-4         | BRASS           |
| 17     | WASHER, STOP SERIES QA REGULATOR     | QA-5         | 303 SST.        |
| 18     | SCREW TIP, ADJUSTOR SERIES QA REG.   | QA-6A        | BRASS           |
| 19     | BONNET, VALVE SERIES QA REGULATOR    | QA-10        | BRASS           |
| 20     | NYLOC INSERT, SERIES QA REGULATOR    | QA-29        | DELTRIN         |
| 21     | SCREW, 8-32 X 5/8" ALLOY, SOCKET     | SCR003       | ALLOY           |
| 22     | DIAPHRAGM, SERIES JR REGULATOR       | J-9          | BUNA-N ON NYLON |
| 23     | NUT, DIAPHRAGM SCREW SER. 100 REG.   | G-109        | BRASS           |
| 24     | CHAMBER, SERIES QA REGULATOR         | QA-19-11     | BRASS           |
| 25     | O'RING RETAINER, SERIES QA REGULATOR | QA-13        | BRASS           |
| 26     | DUMBELL, SERIES QA REGULATOR         | QA-14        | BRASS           |
| 27     | SPRING, SERIES QA REGULATOR          | QA-17        | 302 SST.        |
| 28     | DIAPHRAGM, SERIES 200 REGULATOR      | G-210        | BUNA-N ON NYLON |
| 29     | DIAPHRAM PLATE, SERIES QA REGULATOR  | QA-18B (2)   | BRASS           |
| 30     | RIVET, DIAPHRAM SERIES QA REGULATOR  | QA-18C       | BRASS           |
| 31     | ADJUSTING SCREW, SERIES QA REGULATOR | QA-1A        | BRASS           |
| 32     | DIAPHRAM WASHER, SERIES JR REGULATOR | J-10         | BRASS           |
| 33     | O'RING, SERIES 007 VITON 90 DURO     | 007-V90      | VITON           |
| 34     | DIAPHRAM SCREW                       | QA-12C       | KEL-F           |

HOW TO ORDER



SERIES  
 2QA - 2 PORT QUICK CHANGE REGULATOR RELIEVING  
 4QA - 4 PORT QUICK CHANGE REGULATOR RELIEVING  
 (2) 1/4" OUTLET PRESSURE GAUGE PORTS

THIS DOCUMENT CONTAINS INFORMATION THAT IS CONFIDENTIAL AND PROPRIETARY TO GENERANT CO. INC.. THIS DOCUMENT IS FURNISHED ON THE UNDERSTANDING THAT THE DOCUMENT AND INFORMATION IT CONTAINS WILL NOT BE COPIED OR DISCLOSED TO OTHERS EXCEPT WITH THE WRITTEN CONSENT OF GENERANT. IT WILL NOT BE USED FOR ANY PURPOSE OTHER THAN CONDUCTING BUSINESS WITH GENERANT, AND WILL BE RETURNED AND ALL FURTHER USE DISCONTINUED UPON REQUEST BY GENERANT.

|  |                            |   |                  |                      |
|--|----------------------------|---|------------------|----------------------|
| MAT'L<br>AS SPECIFIED  | APPROVALS<br>DRAWN<br>H.H. | <b>GENERANT</b>                             |                  |                      |
| TOLERANCE SCHEDULE<br>UNLESS OTHERWISE SPECIFIED   | PROD.                      |   |                  |                      |
| FRACTIONAL: ± 1/64"<br>ANGLES: ± 1/2"<br>XX ± .010<br>XXX ± .005<br>CONCENTRICITY: .005 T.I.R.<br>FINISHED SURFACES: 63 Ra<br>BREAK CORNERS/EDGES: .016 MAX. | ENG.                       | TITLE:<br>QUICK CHANGE REGULATOR, RELIEVING |                  |                      |
|  | MFG.                       | SIZE:<br>B                                  | DATE:<br>1-22-10 | DWG. NO.<br>QA-***-* |
|  | Q.A.                       | SCALE:<br>.75:1                             |                  | REV.<br>A            |
|  |                            |   |                  | SHEET:<br>1 OF 1     |